

# CONTROLS

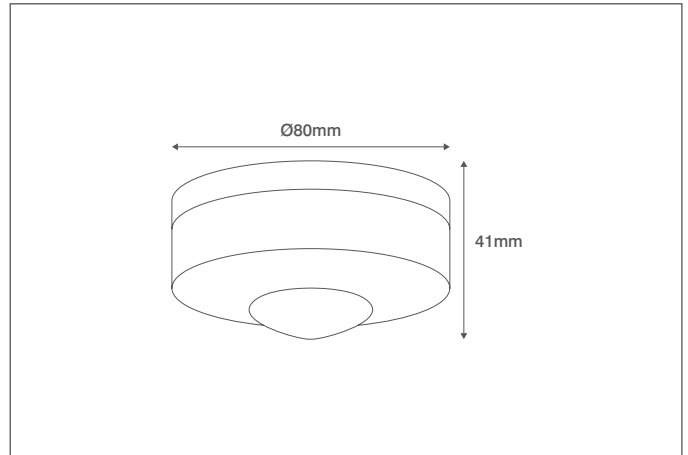
## Technical Specification

Product Code: OVPIR005WH

Luckinslive 407974593



Description: Surface Mounted 360° Compact PIR IP44 White



### General Information

Dimensions (mm)	80 (Dia.) x 41 (D)
Materials	Body: Polycarbonate (UV Stabilised)
Colour	White
Product Weight (Kg)	0.11
Working Humidity (%RH)	<93
Ingress Protection	IP44
Warranty (Years)	5

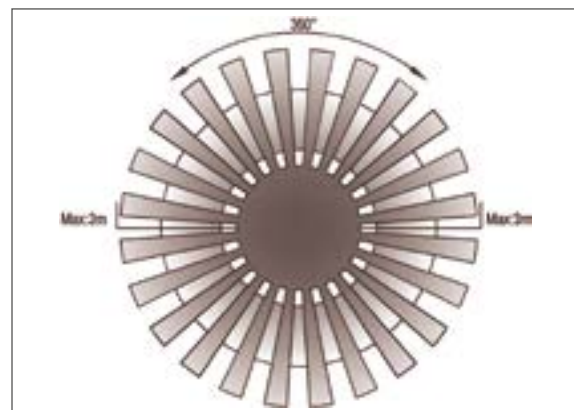
### Supply & Power

Continuous Operating Voltage (AC) (Hz)	220-240 (50/60)
Terminations Input:	Permanent Live & Neutral
Output:	Switched Live (All Screw Terminals)
Safety Class	II
Load Rating - LED & CFL(W)	300
Load Rating - Incan. & Halogen (W)	1200
Zero Cross Technology	Yes
Power Consumption	0.5

### Sensor Parameters & Settings

Installation Height (m)	2.2 to up to 4	
Detection Diameter (m)	up to 6	
Detection Distance (m)	up to 4	
Detection Angle (°)	360	
Detection Motion Speed	0.6 to 1.5	
Manual Adjustments	Adjustment Type	Rotary Controls
	Time Delay	10 Seconds (Min. +3 Seconds) to 15 Minutes (Max. +- 2 Minutes)

### Detection Area Schematics



Ovia Limited, Scolmore House, Mariner, Lichfield Road Industrial Estate,  
 Tamworth, Staffordshire, B79 7UL United Kingdom  
 T: +44 (0)1827 300640  
 E: sales@oviaUK.com | W: oviaUK.com



Catalogue



Section



DoC



Installation

